

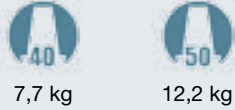
TA16.2P



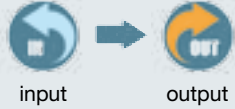
caratteristiche/features



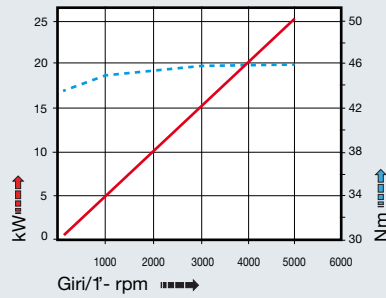
peso/weight



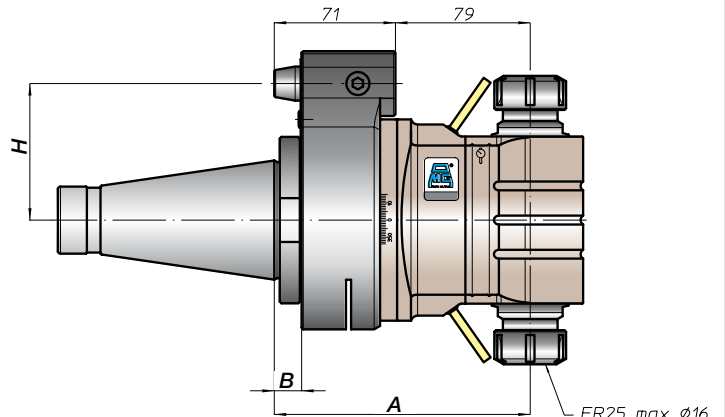
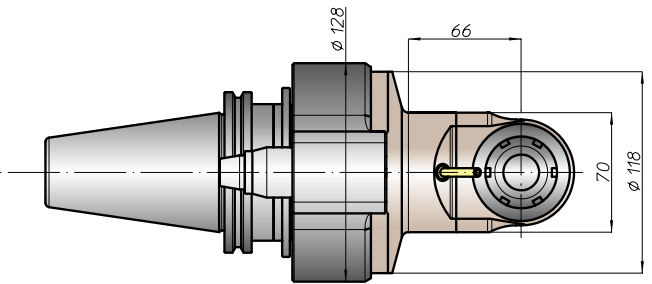
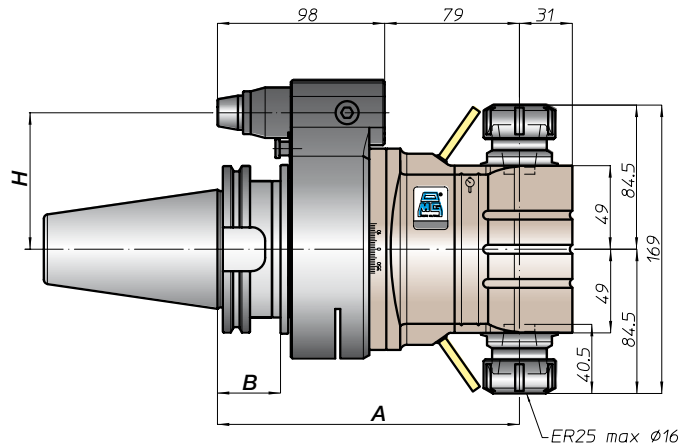
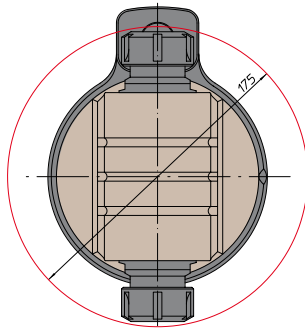
rotazione/rotation



prestazioni/performance



CONO SHANK	size	A	B	H	
				standard	optional
DING9871 *	-	172	35	65	-
	40	177		80	110
	45	177		80	110
ANSIB5.50 * CAT	40	172	65	-	
	50	177	80	110	
* BT	40	172	65	-	
	50	185	45	80	110
HSK DING9893	63	181	44	65	-
	80	186	46	80	110
	100	186	46	80	110
CAPTO ISO26623	C5	176	39	65	-
	C6	181		80	110
	C8	181		80	110
KM	63	172	65	-	
	80	177	80	110	
	100	177	80	110	
DIN2080	-	147	13	65	-
	40	150	16	80	110
	50	150	16	80	110
NMTB ANSIB5.18	40	142	13	65	-
	50	150	16	80	110



* Option: Dual Contact



FH
BAH
TA.CP
TA
MO
HT
VH
TSI/TSX
T
MT-TC-TC3
Accessori
Accessories
Appendice tecnica
Technical supplement