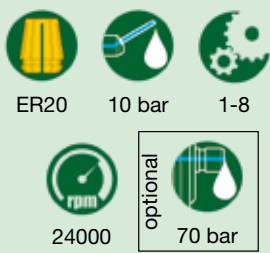


MOX10

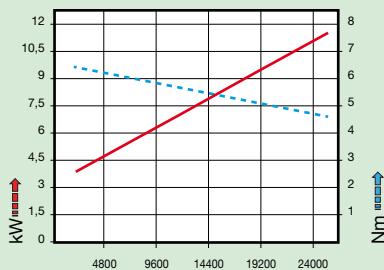
caratteristiche/features

peso/weight

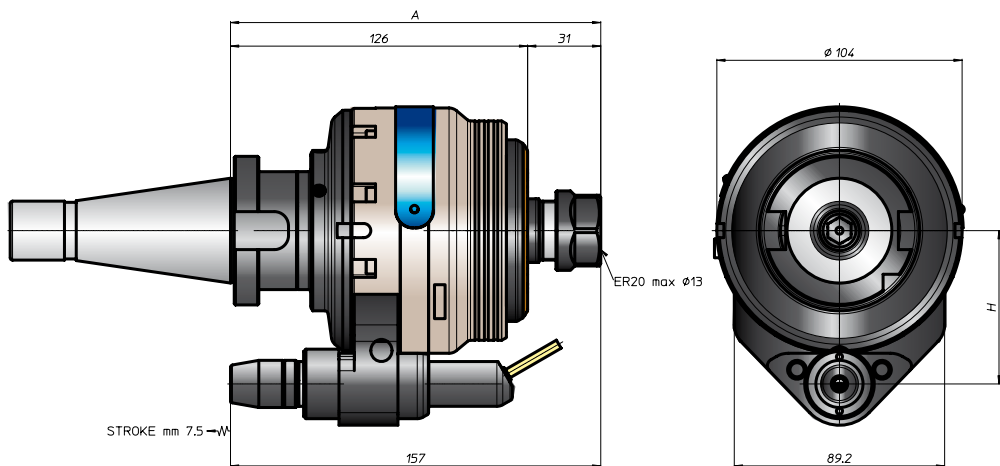
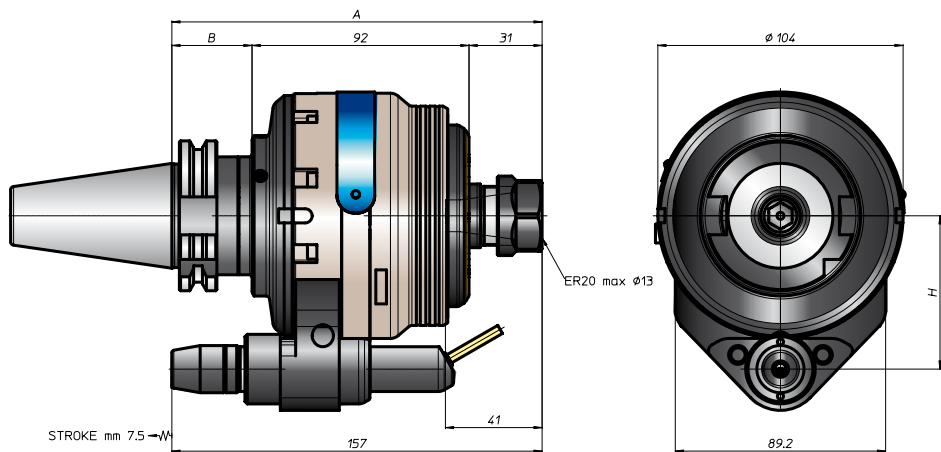
prestazioni/performance



rotazione/rotation



CONO SHANK	size	A	B	H	
				standard	optional
DING9871	30	157	34	65	80
	40			110	
	45		42	80	110
	50			110	
ANSIB5.50 CAT	40	157	34	65	80 110
	50		42	80	110
BT	40	165	35	65	80 110
	50		50	80	80
DING9893 HSK	63	166	42	65	80 110
	80	169		80	110
	100		51		
ISO26623 CAPTO	C5	165	-	65	80 110
	C6		80	110	
	C8				
KM	63	161	-	65	80 110
	80			80	110
	100				
DIN2080	40	157	34	65	80 110
	50			42	80
ANSIB5.18 NMTB	40	157	34	65	80 110
	50			42	80



FH

BAH

TA.CP

TA

MO

HT

VH

TSI/TSX

T

MT-TC-TC3

Accessori
Accessories

Appendice tecnica
Technical supplement