

MOX10.HS



caratteristiche/features

- ER16
- 10 bar
- 1-8
- 36000
- optional
- 70 bar

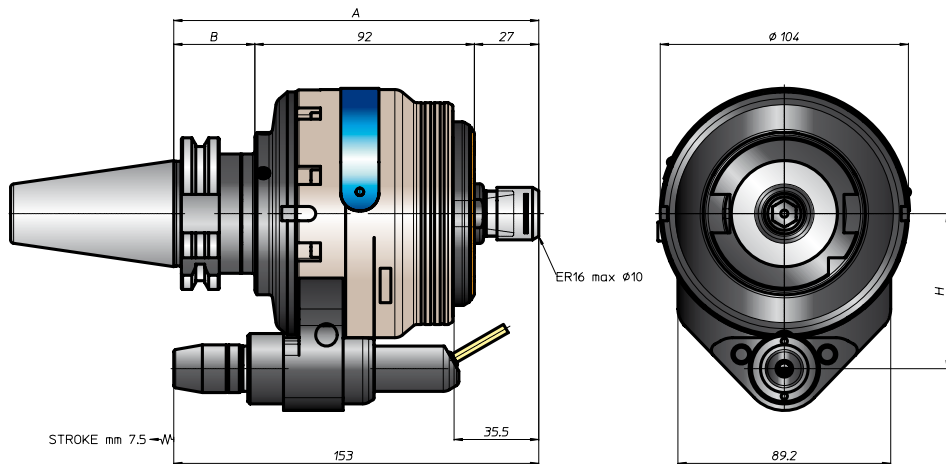
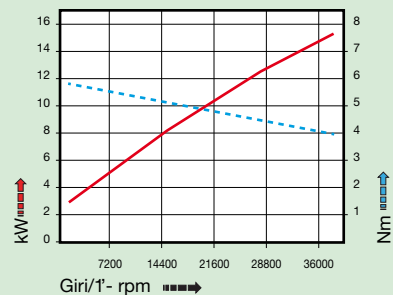
peso/weight

- 40
- 5,8 kg
- 50
- 8 kg

rotazione/rotation

- IN
- input
- OUT
- output

prestazioni/performance



CONO SHANK	size	H			
		A	B	standard	optional
DIN69871	30	153	34	65	80
	40			110	
	45		42	80	110
	50				
ANSIB5.50	CAT	153	34	65	80
	50			110	
BT	40	153	35	65	80
	50			110	
DIN69893	HSK	153	42	65	80
	63			110	
	80			165	80
ISO26623	C5	153	-	65	80
	C6			110	
	C8			80	110
KM	63	157	-	65	80
	80			110	
	100			80	110
DIN2080	40	153	34	65	80
	50			110	
ANSIB5.18	NMTB	153	34	65	80
	40			110	
	50		42	80	110

