

testa ad angolo - angle head

# TA10.P



caratteristiche/features



ø 10 M8 400 N



1-1 10000

peso/weight



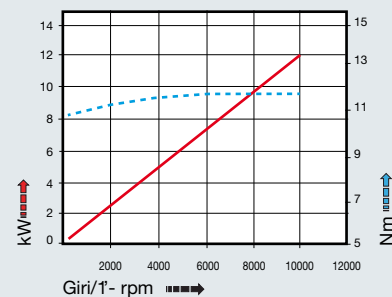
5,8 kg 8 kg

rotazione/rotation



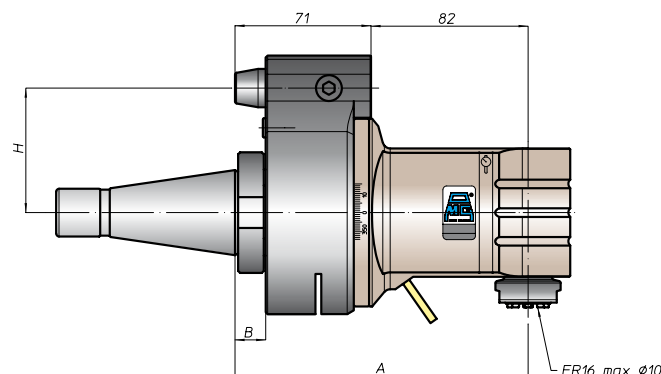
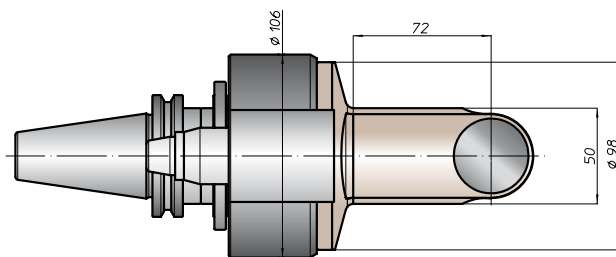
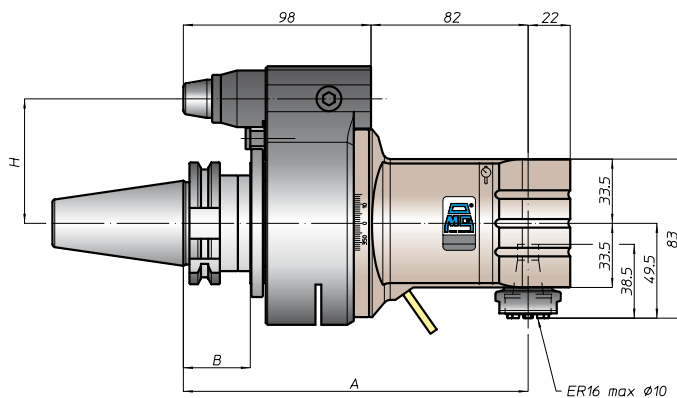
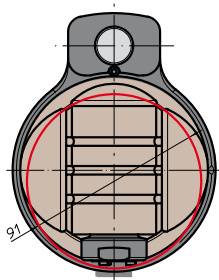
input output

prestazioni/performance



tipi mandrino disponibili / available spindle types

- 1** DIN6388-ER **ER20**
- 2** Albero portafrese Milling Shaft **Ø16**
- 3** Weldon Whistle-Notch **Ø10**



CONO SHANK	size	H			
		A	B	standard	optional
* DIN69871	30	180	35	65	-
	40			80	110
	45			80	110
	50			80	110
* ANSIB5.50 CAT	40	188	45	65	-
	50			80	110
* BT	40	189	46	65	-
	50			80	110
DIN69893	63	184	39	65	-
	80			80	110
	100			80	110
CAPTO ISO28623	C5	180	13	65	-
	C6			80	110
	C8			80	110
KM	63	150	16	65	-
	80			80	110
	100			80	110
DIN2080	40	153	16	65	-
	50			80	110
ANSIB5.18 NMTB	40	150	13	65	-
	50			80	110

\* Option: Dual Contact

