

TA13.PD



caratteristiche/features



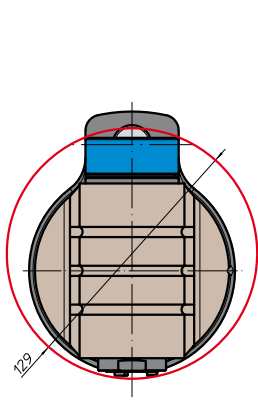
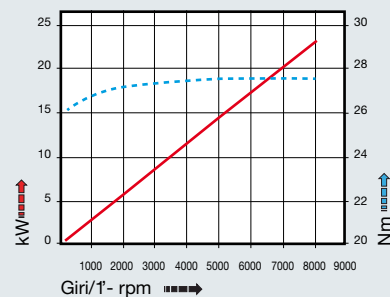
peso/weight



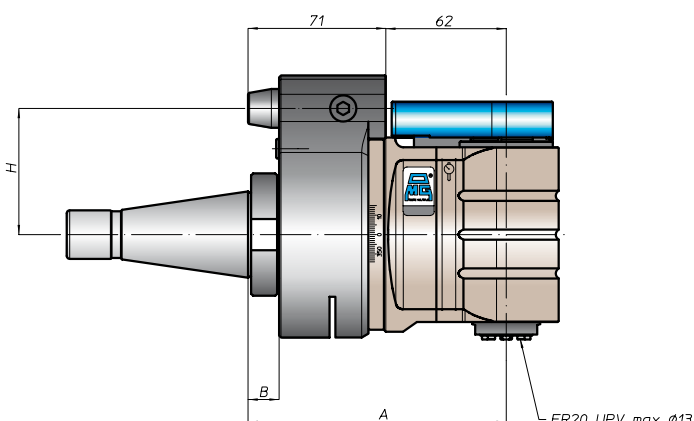
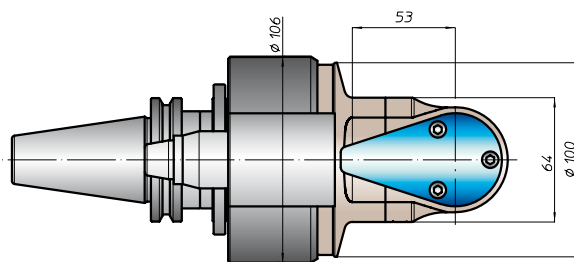
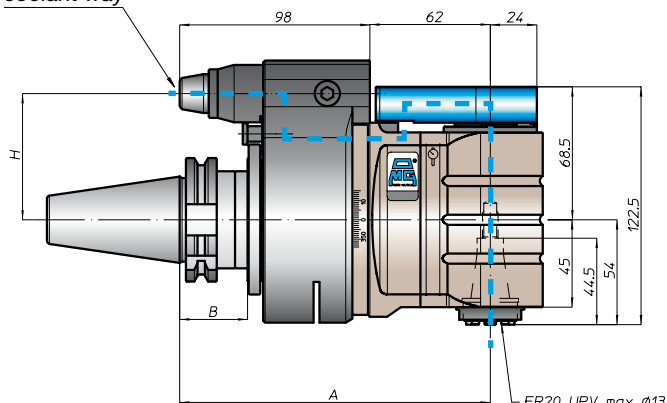
rotazione/rotation



prestazioni/performance



refrigerante
coolant way



CONO SHANK	size	H			
		A	B	standard	optional
DIN69871 *	-			65	-
	40			65	-
	45			80	110
ANSIB5.50 *	40	160	35	80	110
	50			80	110
	50			80	110
* BT	40			65	
	50	168	45	80	110
DIN69893	63		44	65	
	80	169		80	110
	100		46	80	110
ISO 28623	C5			65	
	C6	164	39		
	C8			80	110
KM	63			65	
	80	160		80	110
	100			80	110
DIN2080	-	130	13	65	-
	40			80	110
	50	133	16	80	110
ANSIB5.18	40	130	13	65	-
	50	133	16	80	110

* Option: Dual Contact

FH
BAH
TA.CP
TA
MO
HT
VH
TSI/TSX
T
MT-TC-TC3
Accessori
Accessories
Appendice tecnica
Technical supplement

