

# TA20.PL



caratteristiche/features



peso/weight



19 kg

rotazione/rotation

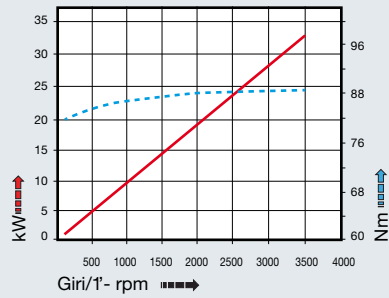


input



output

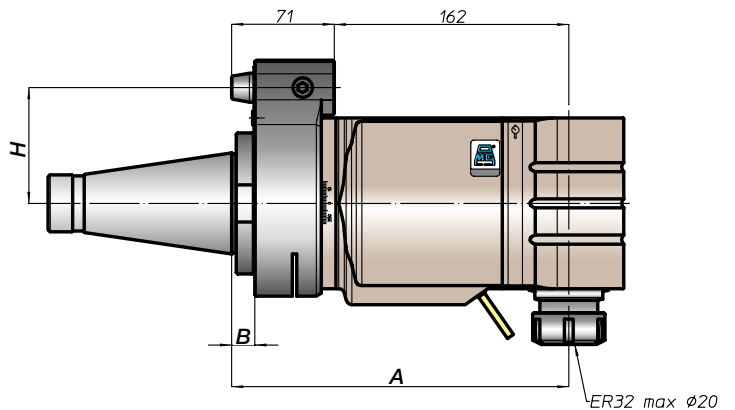
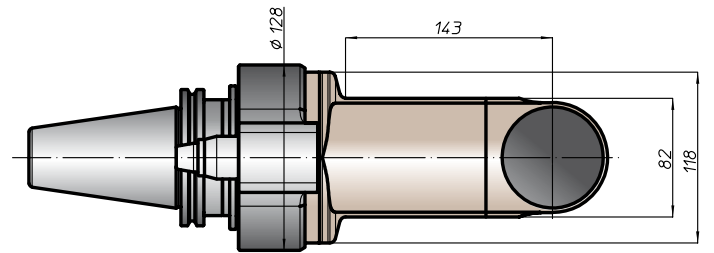
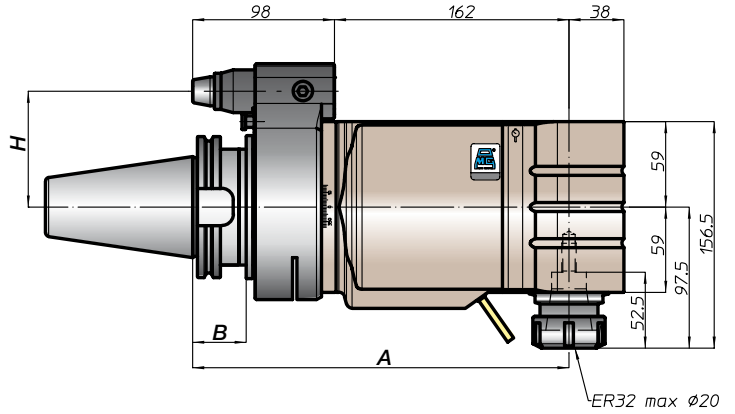
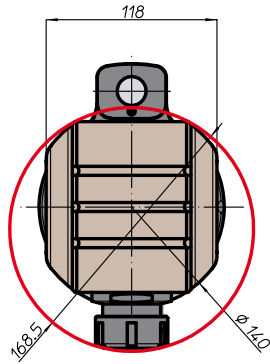
prestazioni/performances



CONO SHANK	size	A	B	H	
				standard	optional
 DIN69871 *	-	260	35	-	-
	45			80	110
	50			80	110
 ANSIB5.50 *	-	268	45	-	-
	50			80	110
 * BT	-	269	46	-	-
	50			80	110
 HSK	-	264	-	-	-
	80			80	110
	100			80	110
 CAPTO	-	260	-	-	-
	50			80	110
 KM	-	233	16	-	-
	80			80	110
 DIN2080	-	233	16	-	-
	50			80	110
 NMTB	-	233	16	-	-
	50			80	110

tipi mandrino disponibili / available spindle types

- 1 DIN6388-ER  
**ER40**
- 2 Albero portafresa  
Milling shaft  
**Ø22-Ø27-Ø32**
- 3 Weldon  
Whistle-Notch  
**Ø20-Ø25-Ø32**
- 4 DIN69893-HSK  
**HSK40**
- 5 COROMANT  
CAPTO®  
**C4**
- 6 ABS  
Licenza KOMET®  
**ABS40**



\* Option: Dual Contact



FH  
BAH  
TA.CP  
TA  
MO  
HT  
VH  
TSI/TSX  
T  
MT-TC-TC3  
Accessori  
Accessories  
Appendice tecnica  
Technical supplement