

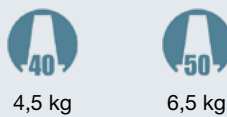
# TAL07



caratteristiche/features



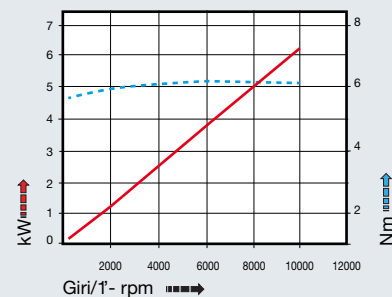
peso/weight



rotazione/rotation

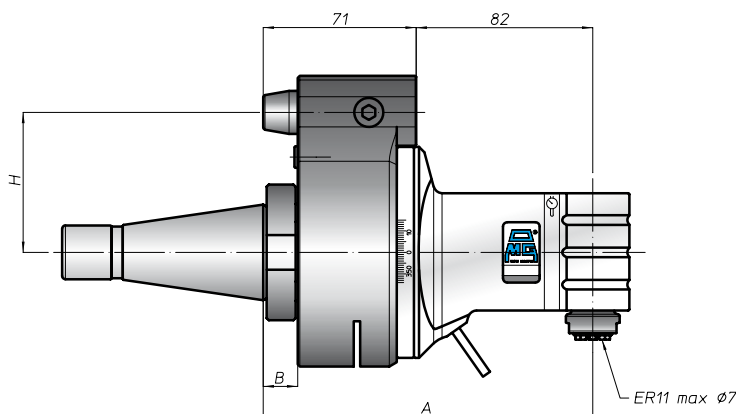
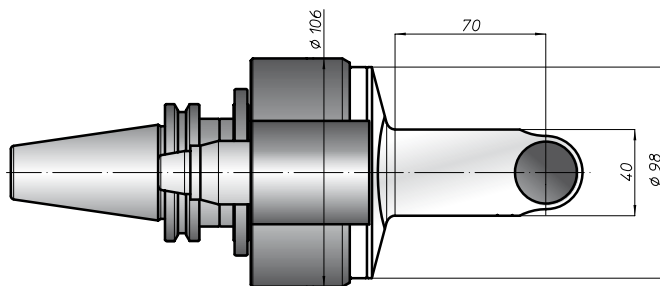
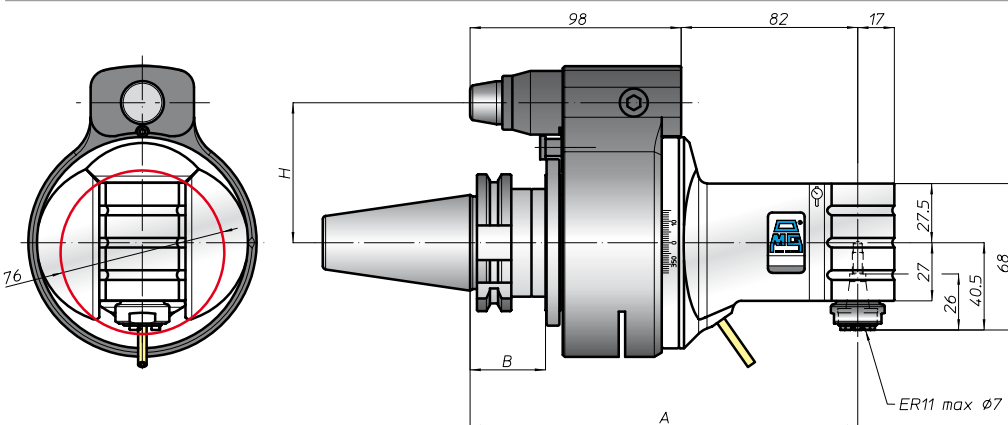


prestazioni/performance



tipi mandrino disponibili / available spindle types

**3** Weldon Whistle-Notch  
Ø8-Ø10



CONO SHANK	size	H			
		A	B	standard	optional
* DING9871	30			65	-
	40			80	110
	45			80	110
	50	180	35	80	110
* ANSIB5.50 CAT	40			65	-
	50			80	110
* BT	40			65	
	50	188	45	80	110
DING9893 HSK	63		44	65	
	80	189		80	110
	100		46	80	110
ISO28623 CAPTO	C5			65	
	C6	184	39	80	110
	C8			80	110
KM	63			65	
	80	180		80	110
	100			80	110
DIN2080	-	150	13	65	-
	40			80	110
	-	153	16	80	110
ANSIB5.18 NMTB	40	150	13	65	-
	50	153	16	80	110

\* Option: Dual Contact



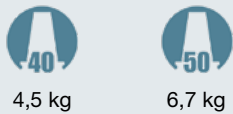
# TAL10



caratteristiche/features



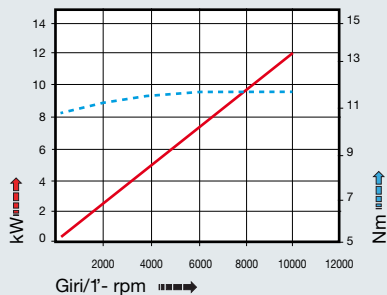
peso/weight



rotazione/rotation



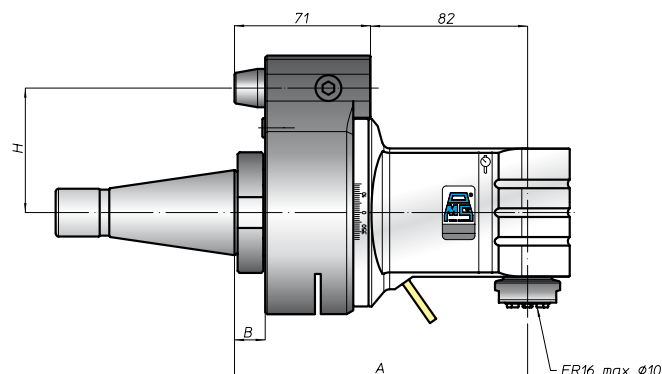
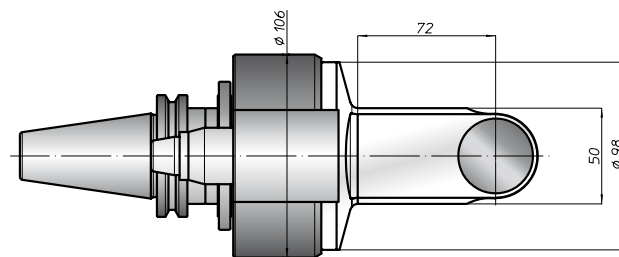
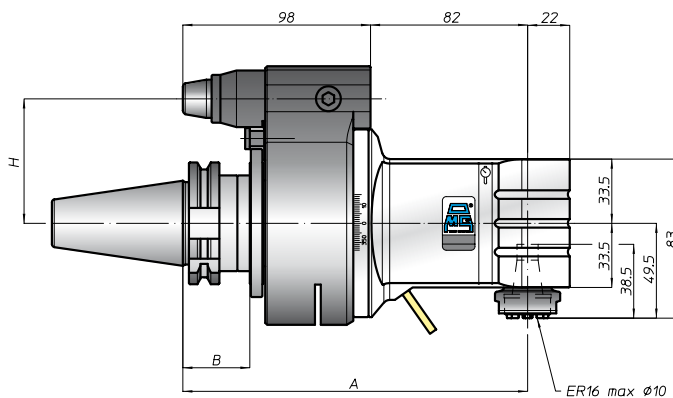
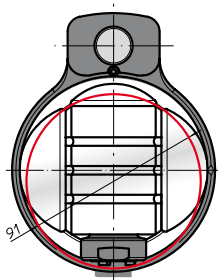
prestazioni/performance



CONO SHANK	size	A	B	H	
				standard	optional
DIN69871 *	30	180	35	65	-
	40			80	110
	45			80	110
	50			80	110
ANSIB5.50 *	CAT 40	188	45	65	-
	50			80	110
* BT	40	188	45	65	-
	50			80	110
DIN69893 HSK	63	189	46	65	-
	80			80	110
	100			80	110
ISO26623 CAPTO	C5	184	39	65	-
	C6			80	110
	C8			80	110
KM	63	180	-	65	-
	80			80	110
	100			80	110
DIN2080	-	150	13	65	-
	40	153	16	80	110
	50			80	110
ANSIB5.18 NMTB	40	150	13	65	-
	50	153	16	80	110

tipi mandrino disponibili / available spindle types

- 1** DIN6388-ER ER20
- 2** Albero portafresa Milling shaft Ø16
- 3** Weldon Whistle-Notch Ø10



\* Option: Dual Contact



FH  
 BAH  
 TA.CP  
 TA  
 MO  
 HT  
 VH  
 TSI/TSX  
 T  
 MT-TC-TC3  
 Accessori  
 Accessories  
 Appendice tecnica  
 Technical supplement

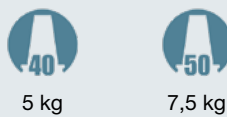
# TAL13



caratteristiche/features



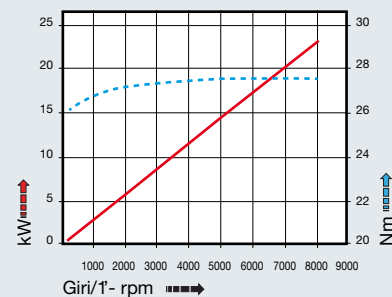
peso/weight



rotazione/rotation

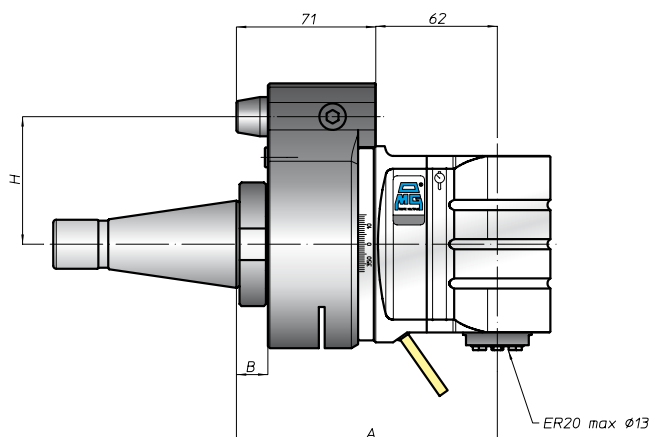
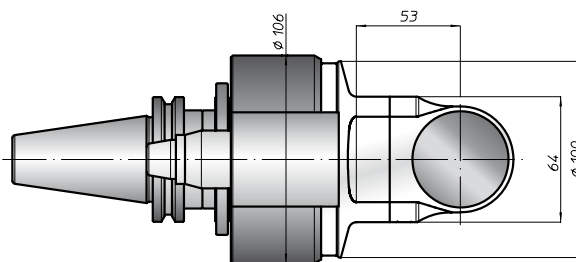
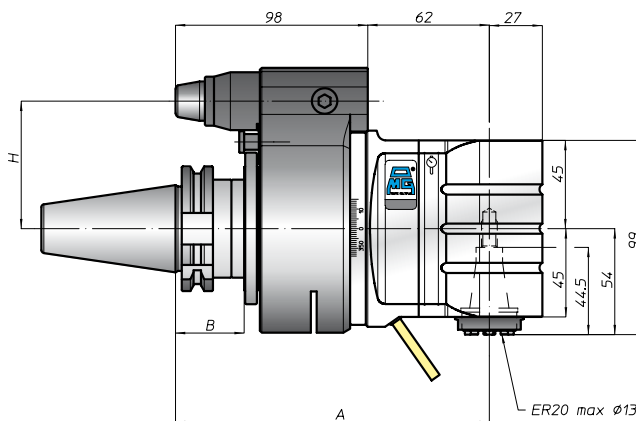
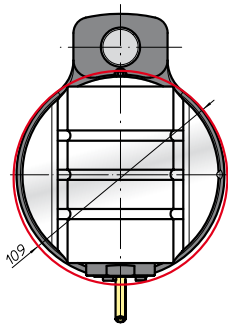


prestazioni/performance



tipi mandrino disponibili / available spindle types

- 1** DIN6388-ER ER25
- 2** Albero portafresce Milling shaft Ø16-Ø22
- 3** Weldon Whistle-Notch Ø16



CONO SHANK	size	H			
		A	B	standard	optional
* DIN69871	-			65	-
	40	160	35	80	110
	45			80	110
50	80			110	
* CAT ANSIB5.50	40			65	-
	50			80	110
* BT	40			65	
	50	168	45	80	110
HSK DIN69893	63		44	65	
	80	169		80	110
	100		46	80	110
CAPTO ISO28623	C5			65	
	C6	164	39		
	C8			80	110
KM	63			65	
	80	160		80	110
	100				
DIN2080	-	130	13	65	-
	40				
	-	133	16	80	110
ANSIB5.18 NMTB	40	130	13	65	-
	50	133	16	80	110

\* Option: Dual Contact



# TAL16



caratteristiche/features



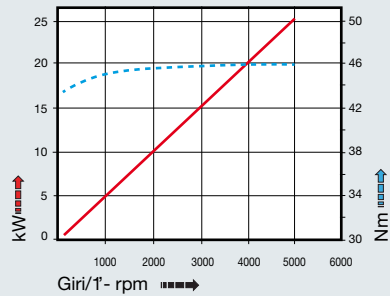
peso/weight



rotazione/rotation



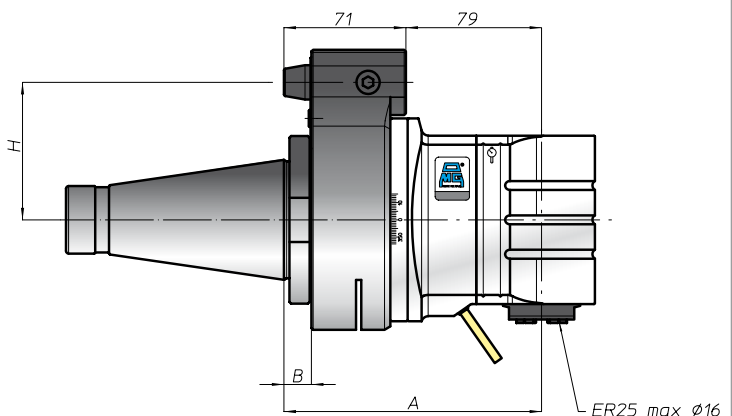
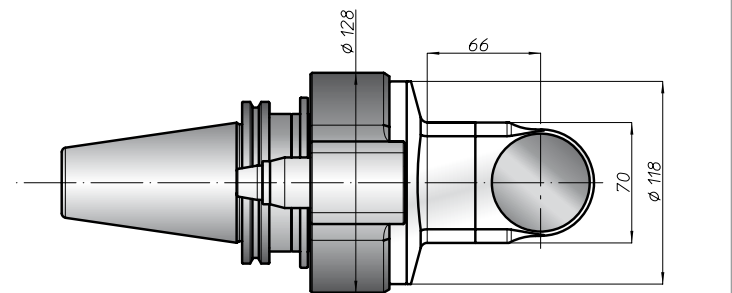
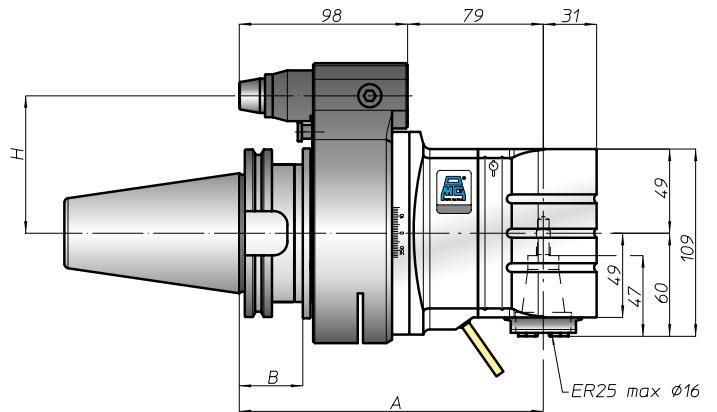
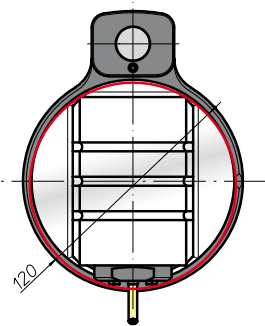
prestazioni/performance



CONO SHANK	size	A	B	H	
				standard	optional
DIN69871 *	-	172		65	-
	40				
	45				
ANSIB5.50 *	40	172		65	-
	50	177	35	80	110
* BT	40	172		65	
	50	185	45	80	110
DIN69893 HSK	63	181	44	65	
	80				
	100	186	46	80	110
ISO26623 CAPTO	C5	176		65	
	C6		39		
	C8	181		80	110
KM	63	172		65	
	80				
	100	177		80	110
DIN2080	-	147	13	65	-
	40				
	-	150	16	80	110
ANSIB5.18 NMTB	40	142	13	65	-
	50	150	16	80	110

tipi mandrino disponibili / available spindle types

- 1 DIN6388-ER  
**ER32**
- 2 Albero portafresa  
Milling shaft  
**Ø16-Ø22-Ø27-Ø32**
- 3 Weldon  
Whistle-Notch  
**Ø20**
- 4 DIN69893-HSK  
**HSK32**
- 5 COROMANT  
CAPTO®  
**C3**
- 6 ABS  
Licenza KOMET®  
**ABS32**



\* Option: Dual Contact



# TAL26



caratteristiche/features



peso/weight



20 kg

rotazione/rotation

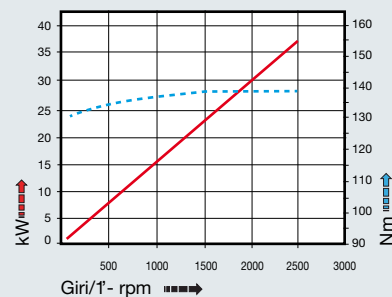


input



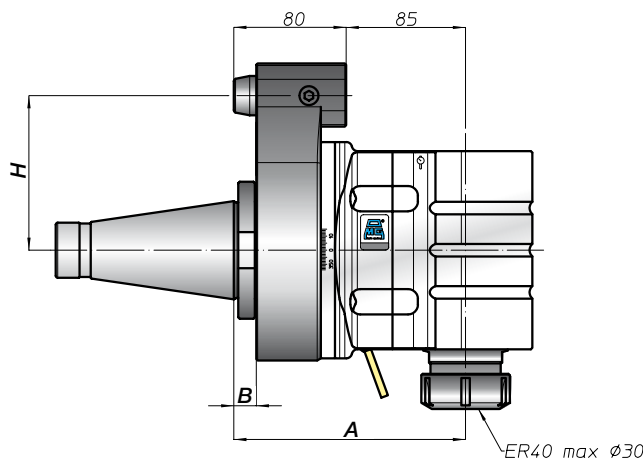
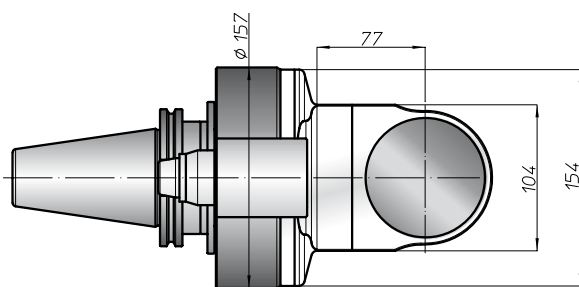
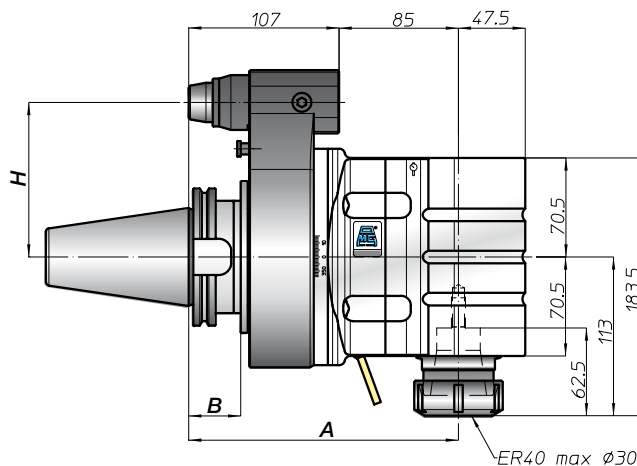
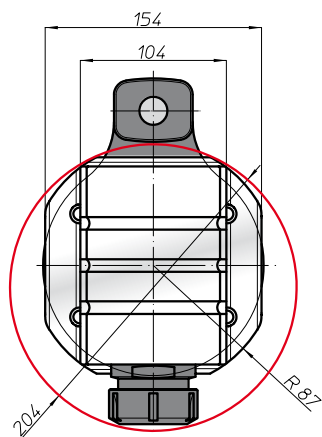
output

prestazioni/performance



tipi mandrino disponibili / available spindle types

- 2** Albero portafresa  
Milling shaft  
Ø16-Ø27-Ø32
- 3** Weldon  
Whistle-Notch  
Ø32
- 4** DIN69893-HSK  
HSK63
- 5** COROMANT  
CAPTO®  
C4
- 6** ABS  
Licenza KOMET®  
ABS50



CONO SHANK	size	H			
		A	B	standard	optional
DIN69871 *	-	-	-	-	-
	45	-	-	110	-
	50	192	35	-	-
ANSIB5.50 *	CAT	-	-	-	-
	50	-	-	110	-
BT *	-	-	-	-	-
	50	200	45	110	-
HSK	-	-	-	-	-
DIN69893	80	201	46	110	-
	100	-	-	-	-
CAPTO	-	-	-	-	-
ISO28623	-	196	-	110	-
	C8	-	-	-	-
KM	-	-	-	-	-
	100	192	-	110	-
DIN2080	-	-	-	-	-
	50	165	16	110	-
NMTB	-	-	-	-	-
ANSIB5.18	50	165	16	110	-

\* Option: Dual Contact





# TAL26.40

caratteristiche/features

peso/weight

prestazioni/performance



20 kg

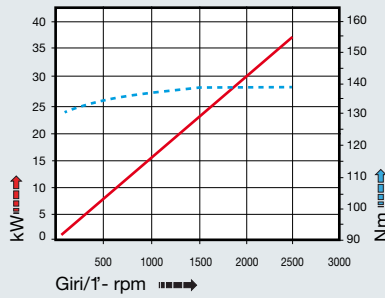
rotazione/rotation



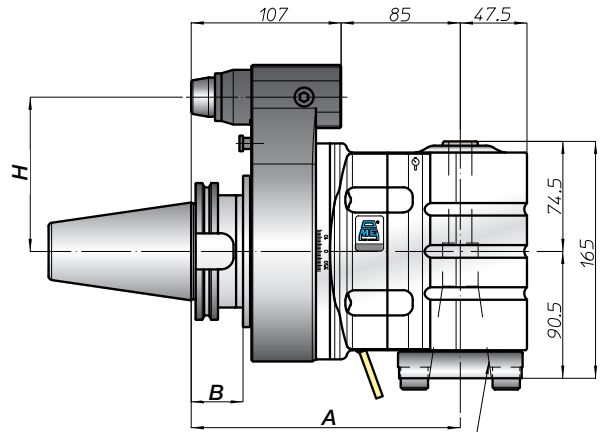
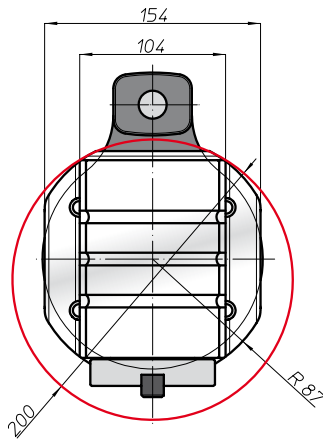
input



output



CONO SHANK	size	A	B	H	
				standard	optional
* DING9871 *	-	192	35	-	-
	45			110	-
	50			110	-
* ANSIB5.50 * CAT	-	192	35	-	-
	50			110	-
* BT	-	200	45	-	-
	50			110	-
HSK DING9893	-	201	46	-	-
	80			110	-
	100			110	-
CAPTO ISO26623	-	196	-	-	-
	C8			110	-
KM	-	192	-	-	-
	-			110	-
	100			110	-
DIN2080	-	165	16	-	-
	50			110	-
ANSIB5.18 NMTB	-	165	16	-	-
	50			110	-



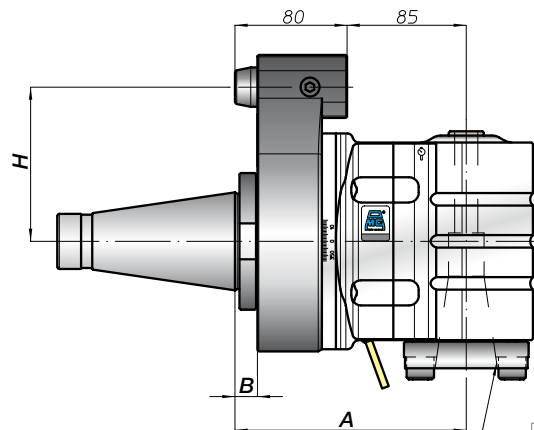
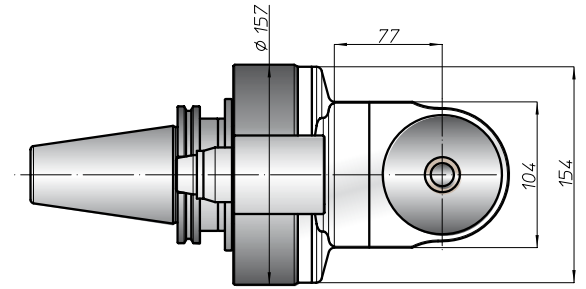
Cono 40 DIN2079

**Nota:**

- nel mandrino DIN2079 si possono utilizzare coni DIN2080-40, DIN69871-A40, MAS403-BT40

**Note:**

- on the spindle DIN2079 you can use shank DIN2080-40, DIN69871-A40, MAS403-BT40



Cono 40 DIN2079

\* Option: Dual Contact

