



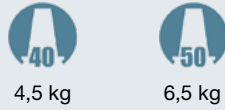
testa ad angolo - angle head

TAL07

caratteristiche/features



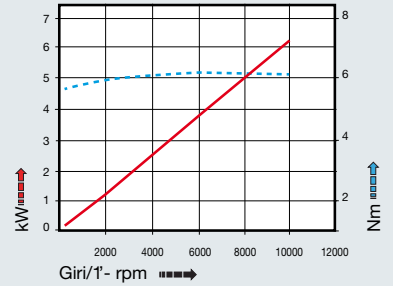
peso/weight



rotazione/rotation

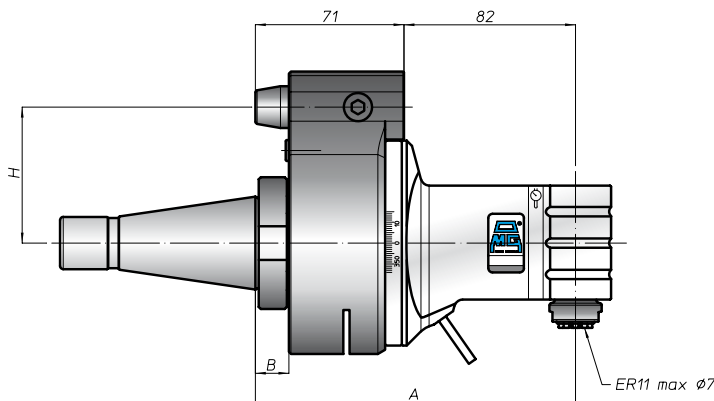
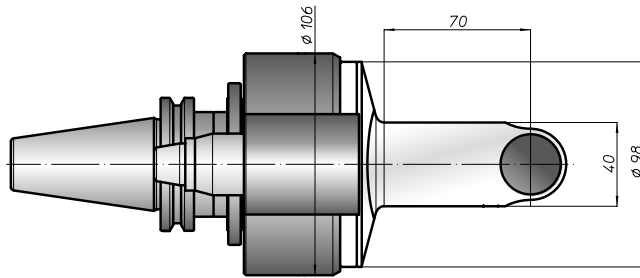
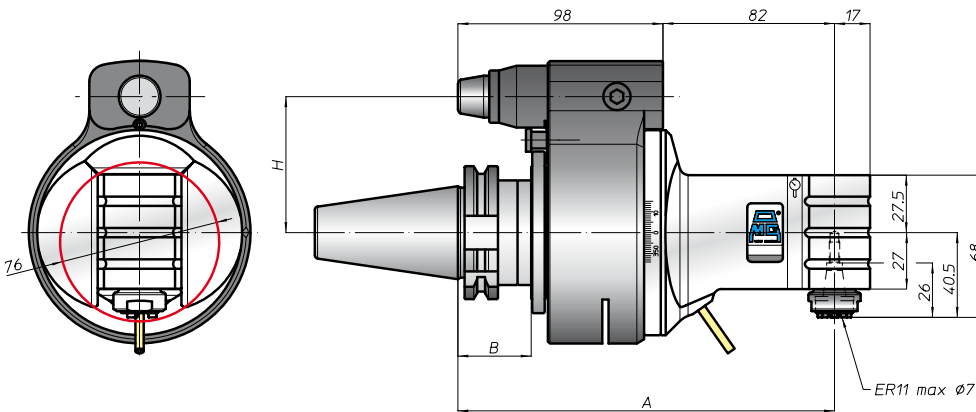


prestazioni/performance



tipi mandrino disponibili / available spindle types

3 Weldon Whistle-Notch
Ø8-Ø10



CONO SHANK	size	A	B	H	
				standard	optional
DIN69871 *	30	180	35	65	-
	40			80	110
	45			80	110
ANSIB5.50 * CAT	40	188	45	65	-
	50			80	110
* BT	40	189	46	65	-
	50			80	110
HSK DIN69893	63	184	39	65	-
	80			80	110
	100			80	110
CAPTO ISO26623	C5	150	13	65	-
	C6			80	110
	C8			80	110
KM	63	153	16	65	-
	80			80	110
	100			80	110
DIN2080	40	153	16	65	-
	50			80	110
ANSIB5.18 NMTB	40	153	16	65	-
	50			80	110

* Option: Dual Contact

