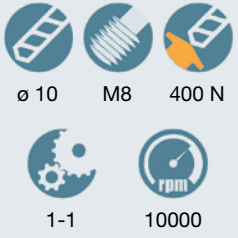


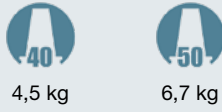
TAL10



caratteristiche/features



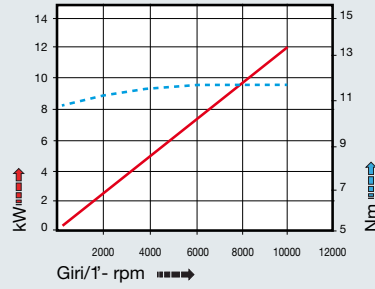
peso/weight



rotazione/rotation



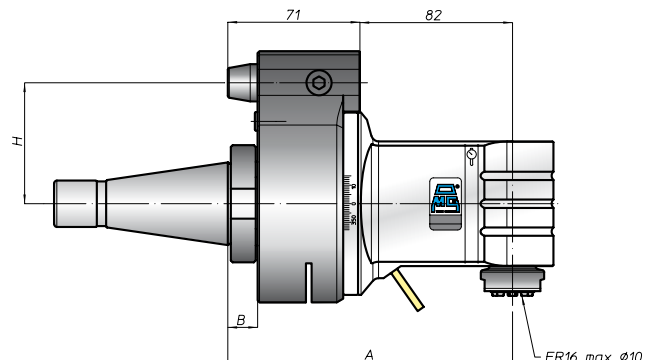
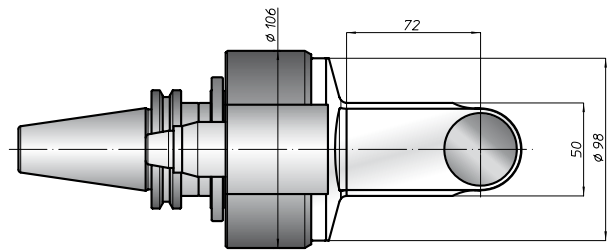
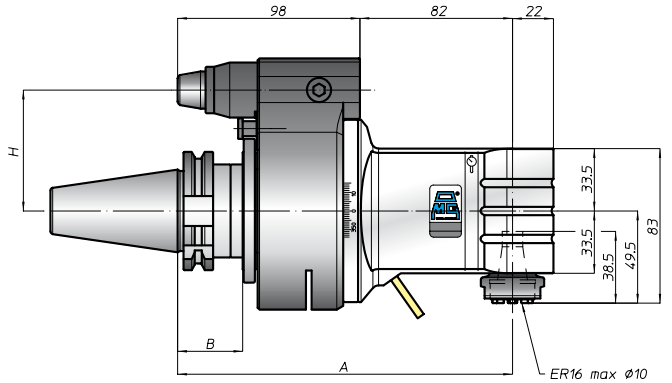
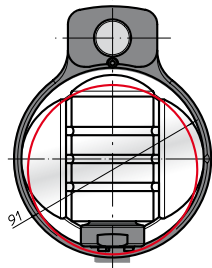
prestazioni/performance



tipi mandrino disponibili / available spindle types

- 1** DIN6388-ER **ER20**
- 2** Albero portafresa Milling shaft **Ø16**
- 3** Weldon Whistle-Notch **Ø10**

| CONO SHANK | size | A | B | H | |
|----------------|--------|-----|----|----------|----------|
| | | | | standard | optional |
| * DIN69871 * | 30 | 180 | 35 | 65 | - |
| | 40 | | | 80 | 110 |
| | 45 | | | 80 | 110 |
| | 50 | | | 80 | 110 |
| * ANSIB5.50 * | CAT 40 | 180 | 35 | 65 | - |
| | 50 | | | 80 | 110 |
| * BT * | 40 | 188 | 45 | 65 | - |
| | 50 | | | 80 | 110 |
| HSK | 63 | 189 | 46 | 65 | - |
| | 80 | | | 80 | 110 |
| | 100 | | | 80 | 110 |
| * ISO26623 | C5 | 184 | 39 | 65 | - |
| | C6 | | | 80 | 110 |
| | C8 | | | 80 | 110 |
| KM | 63 | 180 | 35 | 65 | - |
| | 80 | | | 80 | 110 |
| | 100 | | | 80 | 110 |
| DIN2080 | - | 150 | 13 | 65 | - |
| | 40 | | | 80 | 110 |
| | 50 | | | 80 | 110 |
| ANSIB5.18 NMTB | 40 | 150 | 13 | 65 | - |
| | 50 | | | 80 | 110 |



* Option: Dual Contact

