



testa ad angolo - angle head

# TAL13

caratteristiche/features





  
 ø 13    M10    810 N  

  
 1-1            8000

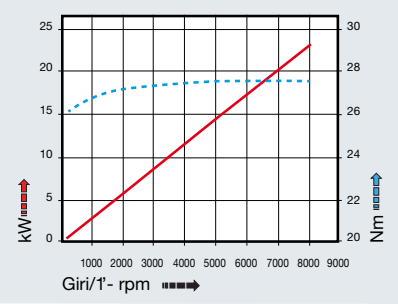
peso/weight


  
 40            50  
 5 kg            7,5 kg

rotazione/rotation

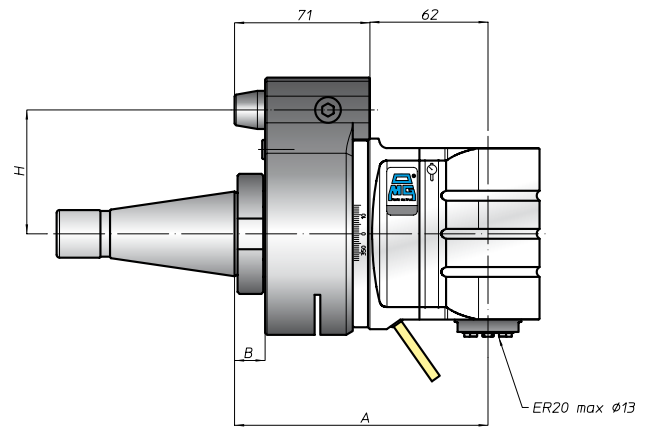
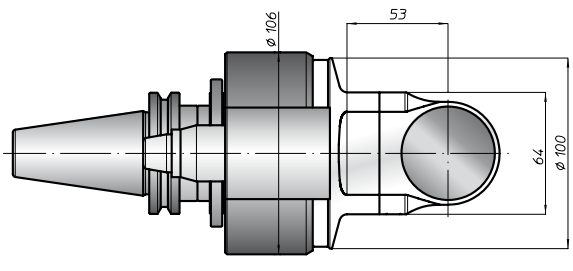
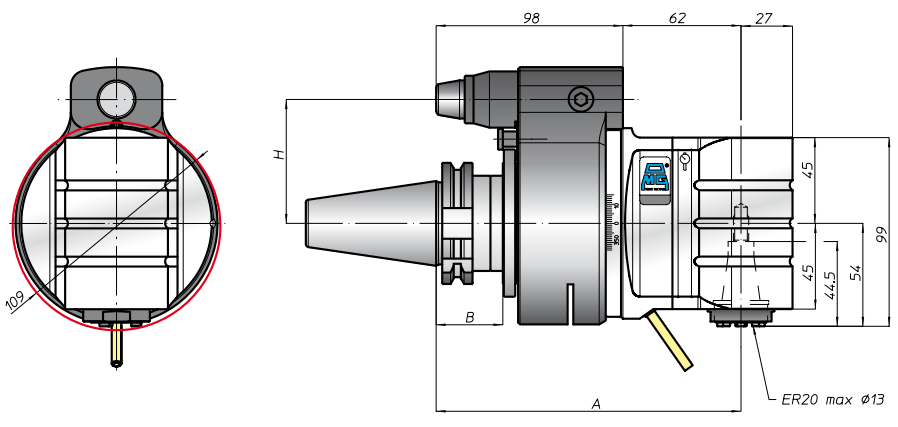

  
 input            output

prestazioni/performance



tipi mandrino disponibili / available spindle types

- 1** DIN6388-ER    **2** Albero portafresa Milling shaft    **3** Weldon Whistle-Notch
- ER25                    Ø16-Ø22                    Ø16



CONO SHANK	size	H			
		A	B	standard	optional
* DIN69871	40			65	-
	45			80	110
	50	160	35	80	110
* ANSIB5.50 CAT	40			65	-
	50			80	110
* BT	40			65	
	50	168	45	80	110
HSK	63		44	65	
	80	169		80	110
	100		46	80	110
CAPTO	C5			65	
	C6	164	39		
	C8			80	110
KM	63			65	
	80	160		80	110
	100				
DIN2080	-	130	13	65	-
	40				
	-	133	16	80	110
ANSIB5.18 NMTB	40	130	13	65	-
	50	133	16	80	110

\* Option: Dual Contact

