

TAL16



caratteristiche/features



peso/weight



5,8 kg

rotazione/rotation

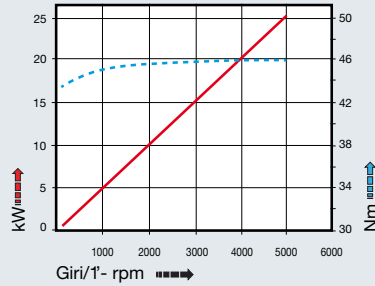


input



output

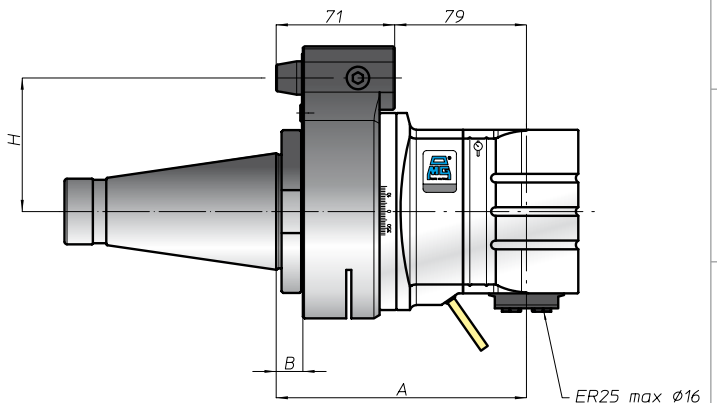
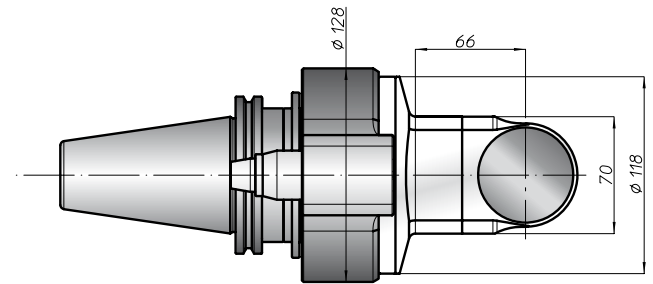
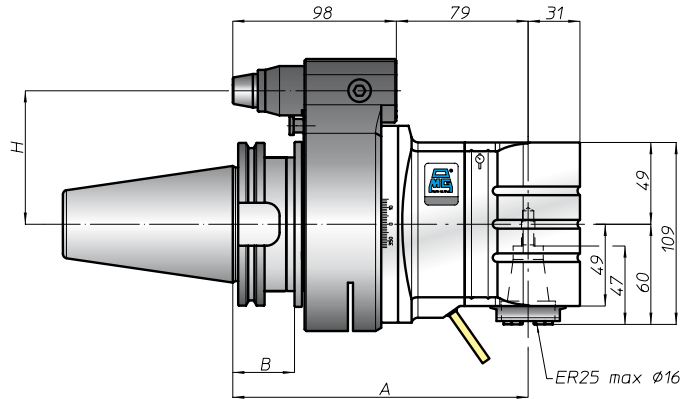
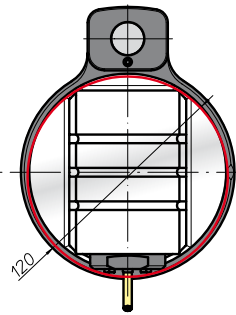
prestazioni/performance



tipi mandrino disponibili / available spindle types

- 1 DIN6388-ER
ER32
- 2 Albero portafresa
Milling shaft
Ø16-Ø22-Ø27-Ø32
- 3 Weldon
Whistle-Notch
Ø20
- 4 DIN69893-HSK
HSK32
- 5 COROMANT
CAPTO®
C3
- 6 ABS
Licenza KOMET®
ABS32

CONO SHANK	size	A	B	H	
				standard	optional
* DIN69871	-	172		65	-
	40		35		
	45				
	50			80	110
ANSI B5.50 * CAT	40	172		65	-
	50	177		80	110
* BT	40	172		65	
	50	185	45	80	110
HSK	63	181	44	65	
	80				
	100	186	46	80	110
CAPTO	C5	176		65	
	C6		39		
	C8	181		80	110
KM	63	172		65	
	80				
	100	177		80	110
DIN2080	-	147	13	65	-
	40				
	50	150	16	80	110
ANSI B5.18 NMTB	40	142	13	65	-
	50	150	16	80	110



* Option: Dual Contact



FH
BAH
TA-CP
TA
MO
HT
VH
TSI/TSX
T
MT-TC-TC3
Accessori
Accessories
Appendice tecnica
Technical supplement