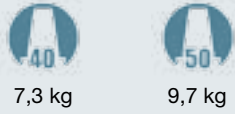


TAR06.PL

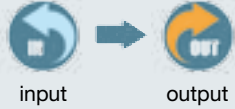
caratteristiche/features



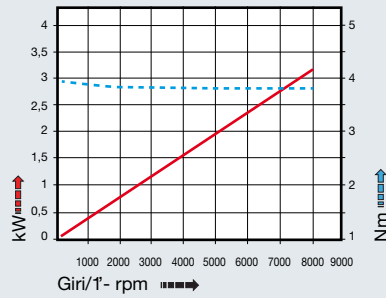
peso/weight



rotazione/rotation



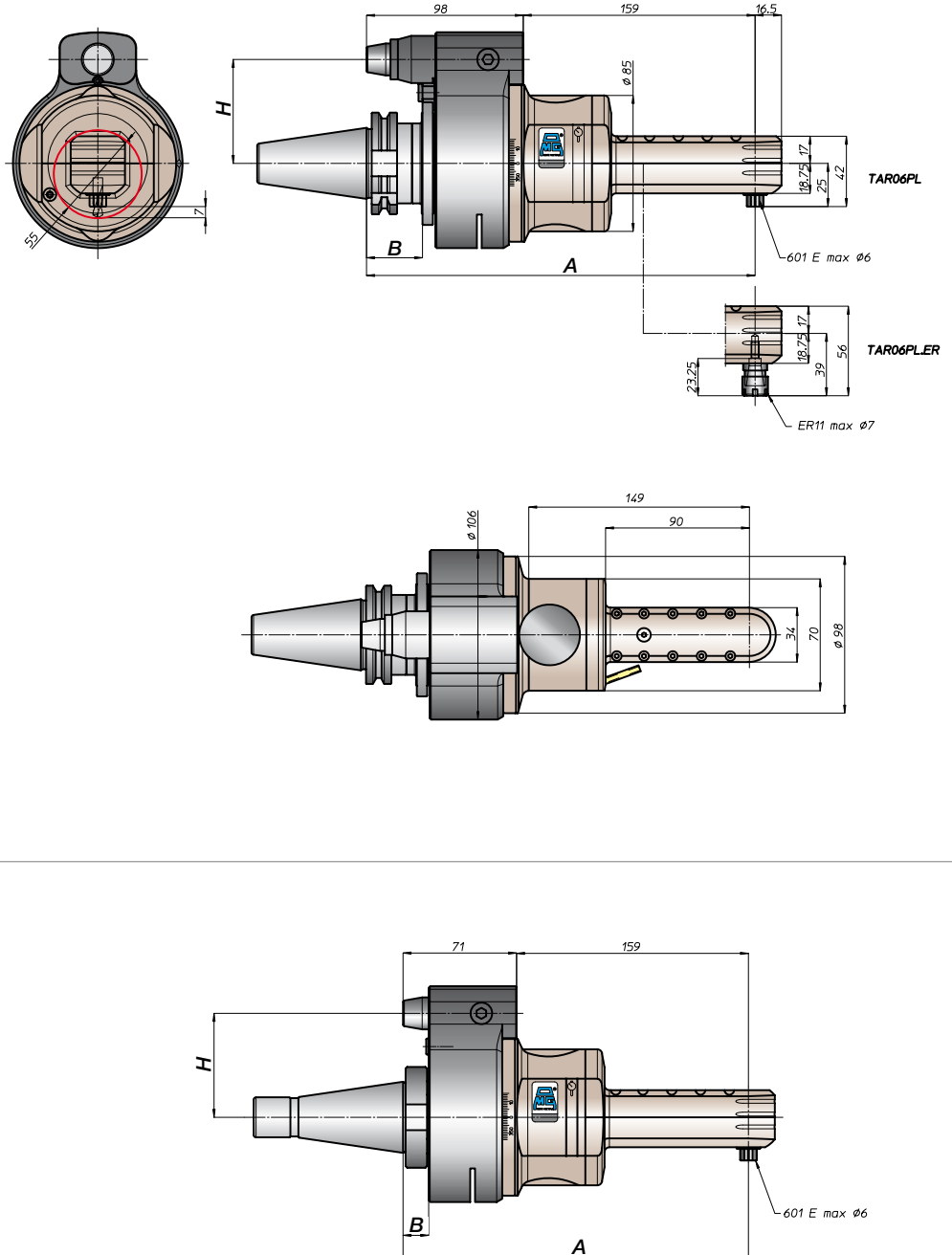
prestazioni/performance



| CONO SHANK | size | A | B | H | |
|-----------------|------|-----|----|----------|----------|
| | | | | standard | optional |
| DIN9871 * | 30 | 257 | 35 | 65 | - |
| | 40 | | | 80 | 110 |
| | 45 | | | 80 | 110 |
| | 50 | | | 80 | 110 |
| ANSIB5.50 * CAT | 40 | 257 | 35 | 65 | - |
| | 50 | | | 80 | 110 |
| * BT | 40 | 265 | 45 | 65 | - |
| | 50 | | | 80 | 110 |
| DIN9893 HSK | 63 | 266 | 44 | 65 | - |
| | 80 | | | 80 | 110 |
| | 100 | | | 80 | 110 |
| ISO26623 CAPTO | C5 | 261 | 39 | 65 | - |
| | C6 | | | 80 | 110 |
| | C8 | | | 80 | 110 |
| KM | 63 | 257 | 35 | 65 | - |
| | 80 | | | 80 | 110 |
| | 100 | | | 80 | 110 |
| DIN2080 | - | 227 | 13 | 65 | - |
| | 40 | | | 80 | 110 |
| | - | | | 230 | 16 |
| ANSIB5.18 NMTB | 40 | 230 | 16 | 65 | - |
| | 50 | | | 80 | 110 |

tipi mandrino disponibili / available spindle types

3 Weldon Whistle-Notch
 $\varnothing 6$



* Option: Dual Contact



FH
 BAH
 TA.CP
 TA
 MO
 HT
 VH
 TSI/TSX
 T
 MT-TC-TC3
 Accessori
 Accessories
 Appendice tecnica
 Technical supplement